

**dieci**



**PIVOT**

**T60 | T70 | T80**



**dieci.com**

## PERFORMANCE

Vehicle model	PIVOT T60	PIVOT T70	PIVOT T80
Operating weight with standard bucket and quick coupling	6120 kg (13492 lb)	8370 kg (18453 lb)	8910 kg (19643 lb)
Standard bucket capacity	0.85 m <sup>3</sup> (30 ft <sup>3</sup> )	1.2 m <sup>3</sup> (42 ft <sup>3</sup> )	1.2 m <sup>3</sup> (42 ft <sup>3</sup> )
Maximum capacity	2250 kg (4960 lb)	3000 kg (6614 lb)	3500 kg (7716 lb)
Maximum lifting height	4.7 m (15.4 ft)	5.2 m (17.1 ft)	5.2 m (17.1 ft)
Maximum horizontal extension	3.4 m (11.2 ft)	3.3 m (10.8 ft)	3.3 m (10.8 ft)
Fork swiveling angle	40°	165°	165°
Pull-out force	4800 daN (10791 lbf)	6800 daN (15287 lbf)	6450 daN (14500 lbf)
Towing force	5700 daN (12814 lbf)	6650 daN (14950 lbf)	6650 daN (14950 lbf)
Unladen weight	5840 kg (12875 lb)	7700 kg (16976 lb)	8340 kg (18387 lb)
Maximum climb angle	80 %	80 %	80 %
Max speed (referred to wheels with maximum permitted diameter)	40 km/h (24.9 mph)	40 km/h (24.9 mph)	40 km/h (24.9 mph)
Retracted in line tipping load	4050 kg (8929 lb)	4500 kg (9921 lb)	5300 kg (11685 lb)
Retracted articulated tipping load	3575 kg (7882 lb)	4000 kg (8818 lb)	4700 kg (10362 lb)
Extended in line tipping load	2350 kg (5181 lb)	2500 kg (5512 lb)	2350 kg (5181 lb)
Extended articulated tipping load	2050 kg (4519 lb)	2300 kg (5071 lb)	2100 kg (4630 lb)
Operating load EN474.3 (80%) retracted	2250 kg (4960 lb)	3000 kg (6614 lb)	3500 kg (7716 lb)
Operating load EN474.3 (60%) retracted	1700 kg (3748 lb)	2300 kg (5071 lb)	2800 kg (6173 lb)
Operating load EN474.3 (80%) extended	1400 kg (3086 lb)	1750 kg (3858 lb)	2000 kg (4409 lb)
Operating load EN474.3 (60%) extended	1050 kg (2315 lb)	1350 kg (2976 lb)	1500 kg (3307 lb)

## BOOM

Vehicle model	PIVOT T60	PIVOT T70	PIVOT T80
Getting off the basket	2.8 s	3 s	3.9 s
Lifting	5.2 s	5.2 s	4.1 s
Extension	2.4 s	3.1 s	2.4 s
Retraction	1.3 s	1.8 s	2.2 s
Forward swiveling	1.8 s	3.2 s	1.8 s
Reverse swiveling	1.3 s	2 s	2 s

## ENGINE

Vehicle model	PIVOT T60	PIVOT T70	PIVOT T80
Brand	Kubota	Perkins	FPT
Nominal power	54.6 kW (73 HP)	85,9 Kw (115 HP)	103 kW (138 HP)
@rpm	2600 rpm	2200 rpm	2200 rpm
Peak power	-	85,9 Kw (115 HP)	114 kW (153 HP)
@rpm	-	2200 rpm	1800 rpm
Operation	4-stroke	4-stroke	4-stroke
Injection	Electronic, Common Rail	Electronic, Common Rail	4-Stroke Electronic Injection, Common Rail
Number and arrangement of cylinders	4, Vertical in line	4, Vertical in line	4, Vertical in line
Displacement	3331 cm <sup>3</sup> (203 in <sup>3</sup> )	3621 cm <sup>3</sup> (221 in <sup>3</sup> )	4485 cm <sup>3</sup> (274 in <sup>3</sup> )
Consumption	231 g/kWh (380.00 lb/Hp h)	216 g/kWh (355.32 lb/Hp h)	212 g/kWh (348.74 lb/Hp h)
@rpm	2600 rpm	1900 rpm	2200 rpm
Emission standards	Stage V/Tier 4f	Stage V/Tier 4f	Stage V
Exhaust gas treatment	Particulate filter (DPF)	DOC+DPF+SCR (with AdBlue)	DOC+SCRoF (with AdBlue)
Cooling system	Liquid	Liquid	Liquid
Intake	Turbo compressor	16-valve turbocharger with aftercooler	16-valve turbocharger with aftercooler
Air filter	Air pre-heating and air pre-filtering with dust separator	Air pre-heating and air pre-filtering with dust separator	Air pre-heating and air pre-filtering with dust separator

## TRANSMISSION

Vehicle model	PIVOT T60	PIVOT T70	PIVOT T80
Transmission type	Hydrostatic with variable displacement pump	Electronically controlled hydrostatic Shift on Fly with gear shift in motion and ECO function	Electronically controlled hydrostatic Shift on Fly with gear shift in motion and ECO function
Hydraulic motor	Hydrostatic with continuous automatic adjustment	Hydrostatic with continuous automatic adjustment	Hydrostatic with continuous automatic adjustment
Reversal	Electro-Hydraulic	With electronic control	With electronic control
Inching	With hydraulic pedal for controlled forward movement	With electronic pedal for controlled forward movement	With electronic pedal for controlled forward movement
Gearbox	Servo-controlled 2-speed	With 2-speed servo-controlled operated with vehicle in motion	With 2-speed servo-controlled operated with vehicle in motion

## DIFFERENTIAL AXLES

Vehicle model	PIVOT T60	PIVOT T70	PIVOT T80
Type of axles	2 rigid, with 4 epicycloidal reduction gears	2 rigid, with 4 epicycloidal reduction gears	2 rigid, with 4 epicycloidal reduction gears
Type of steering	With articulated chassis with a total angle of 80°, servo-assisted by power steering (Load Sensing)	With articulated chassis with a total angle of 80°, servo-assisted by power steering (Load Sensing)	With articulated chassis with a total angle of 80°, servo-assisted by power steering (Load Sensing)
Front axle	Rigid, self-locking	Rigid, self-locking	Rigid, self-locking
Rear axle	Tilting with 20° total stroke	Tilting with 20° total stroke	Tilting with 20° total stroke
Service braking	Oil bath on front and rear axles with servo brake	Oil bath with servo brake on front and rear axle	Oil bath with servo brake on front and rear axle
Parking braking	Negative actuation with electrical control	Negative actuation with electrical control	Negative actuation with electrical control

## HYDRAULIC SYSTEM

Vehicle model	PIVOT T60	PIVOT T70	PIVOT T80
Hydraulic pump type	Gear pump for power steering and movements	Gear pump for power steering and movements	Piston pump with variable flow rate for power steering and movements
Hydraulic pump capacity	101 l/min (26.7 gal/min)	117 l/min (30.9 gal/min)	224 l/min (59.2 gal/min)
Max. operating pressure	23 MPa (3336 psi)	25 MPa (3626 psi)	26 MPa (3771 psi)
Distributor control	4in1 with FNR	4in1 with FNR	4 in 1 Joystick with FNR
Distributor type	Hydraulic in 4 sections with "Load Sensing" proportional electronic-hydraulic servo-control with "Flow Sharing", 4 simultaneous movements with independent maximum speed control of each movement.	Hydraulic in 4 sections with "Load Sensing" proportional electronic-hydraulic servo-control with "Flow Sharing", 4 simultaneous movements with independent maximum speed control of each movement.	Hydraulic in 4 sections with "Load Sensing" proportional electric control with "Flow Sharing", 4 simultaneous movements with independent maximum speed setting of each movement, continuous oil function on hydraulic sockets.

## FILLING

Vehicle model	PIVOT T60	PIVOT T70	PIVOT T80
Hydraulic system (total)	80 l (21.13 gal)	160 l (42.27 gal)	160 l (42.27 gal)
Diesel tank	100 L (26.42 gal)	140 l (36.98 gal)	140 l (36.98 gal)
AdBlue tank	-	27 l (7.13 gal)	27 l (7.13 gal)

## TOWING CAPACITY

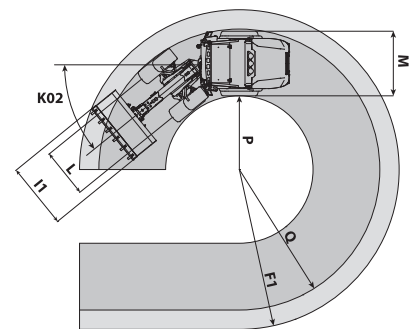
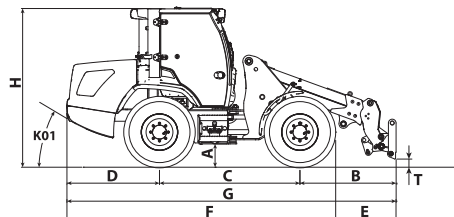
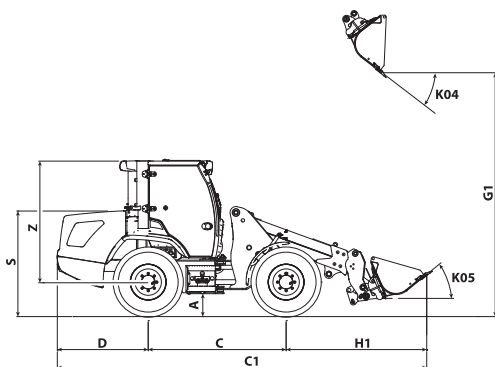
Vehicle model	PIVOT T60	PIVOT T70	PIVOT T80
Unbraked trailer	3000 kg (6614 lb)	1500 kg (3307 lb)	3500 kg (7716 lb)
Inertia braking	-	6000 kg (13228 lb)	-
Hydraulic/pneumatic braking	-	15000 kg (33069 lb)	-

## TYRES

Vehicle model	PIVOT T60	PIVOT T70	PIVOT T80
Standard tires	405/70x20"	405/70-24"	405/70-24"

## DIMENSIONS

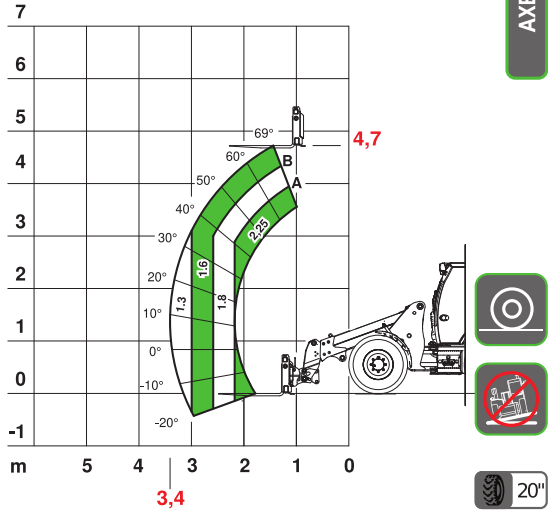
Vehicle model	PIVOT T60	PIVOT T70	PIVOT T80
A	365 mm (14.4 in)	385 mm (15.2 in)	385 mm (15.2 in)
B	1750 mm (68,9 in)	1690 mm (66.5 in)	1720 mm (67.7 in)
C	2200 mm (86.6 in)	2425 mm (95.5 in)	2550 mm (100.4 in)
C1	6015 mm (236.8 in)	6570 mm (258.7 in)	6800 mm (267.7 in)
D	1450 mm (57.1 in)	1570 mm (61.8 in)	1680 mm (66.1 in)
E	1190 mm (46.9 in)	1040 mm (40.9 in)	1130 mm (44.5 in)
F	4210 mm (165.7 in)	4645 mm (182.9 in)	4820 mm (189,8 in)
F1	4670 mm (183.9 in)	5165 mm (203.3 in)	5330 mm (209.8 in)
G	5400 mm (212.6 in)	5685 mm (223.8 in)	5950 mm (234.3 in)
G1	4155 mm (163.6 in)	4400 mm (173.2 in)	4400 mm (173.2 in)
H	2490 mm (98.0 in)	2680 mm (105.5 in)	2710 mm (106,7 in)
H1	2365 mm (93.1 in)	2575 mm (101.4 in)	2575 mm (101.4 in)
I1	2000 mm (78.7 in)	2100 mm (82.7 in)	2100 mm (82.7 in)
L	1430 mm (56.3 in)	1790 mm (70,5 in)	1790 mm (70,5 in)
K01	30°	30°	30°
K02	40°	40°	40°
K04	40°	40°	40°
K05	40°	40°	40°
M	1880 mm (74.0 in)	2200 mm (86.6 in)	2200 mm (86.6 in)
P	2060 mm (81.1 in)	2330 mm (91.7 in)	2475 mm (97,4 in)
Q	4010 mm (157.9 in)	4550 mm (179.1 in)	4730 mm (186.2 in)
S	1699 mm (66.9 in)	1935 mm (76.2 in)	1925 mm (75,8 in)
T	93 mm (3.7 in)	160 mm (6.3 in)	160 mm (6.3 in)
Z	1962 mm (77.2 in)	2100 mm (82.7 in)	2100 mm (82.7 in)



MAX 2,25 t



AXB1552



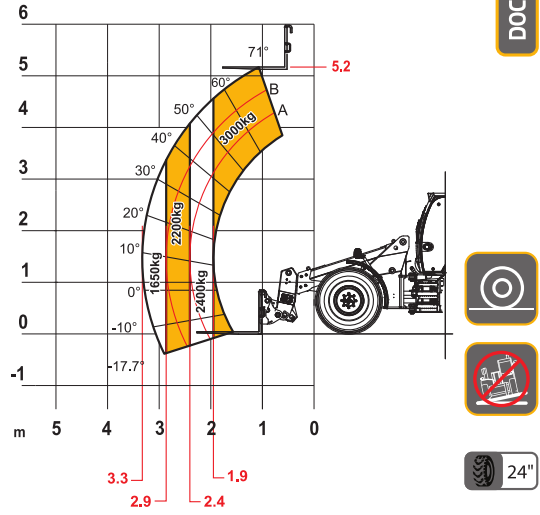
EN474-3 (ISO14397)

T60

MAX 3000 kg



DOCDI0001299



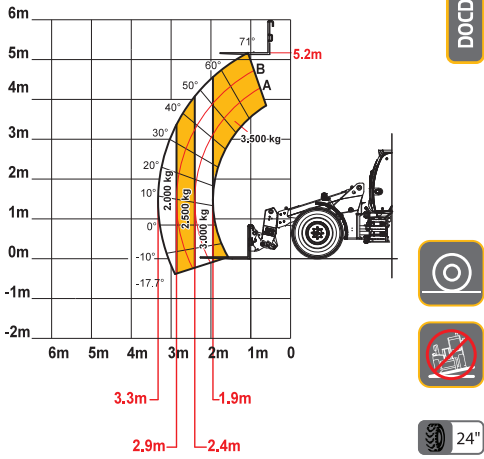
EN474-3

T70

MAX 3500 kg



DOCDI0002271



EN474-3

T80