



ATLAS SINCE 1919

-  22.0 - 23.6 t
-  129 KW (175 HP)
EU Stage V
-  0.75 - 1.3 m³

**STABLE.
STRONG.
STEADY.**



WHEELED EXCAVATOR 220W

WWW.ATLASGMBH.COM

ATLAS – CONSTRUCTION MACHINERY MANUFACTURER WITH TRADITION

From person to person

When Hinrich Weyhausen started selling construction and agricultural machinery in 1919, he discovered that the machines which his customers actually needed were not available. So he listened to them carefully and went about building the machines himself – exactly according to the requirements of the people who used his machines every day. He carried out pioneering work with a passion under the brand name of Atlas. His focus was always on the benefit of the machines. And nothing has changed for us in terms of this ideal today.



**Atlas will make you strong
with excellent products and
a comprehensive service.**



With highly motivated employees, a great deal of commitment and expertise ATLAS GmbH develops successful crane & excavator technologies. Numerous customers, engineers and experts all around the globe have made their contribution. The result is robust equipment to enable you to work more effectively and safely than ever before.

As our know-how grew, so too did our dealer and service network worldwide.

We can hence guarantee – in those days and today too – that we will always be on the spot when you need us.



Atlas manufactures a wide range of equipment for the construction, railroad, material handling and infrastructure industries. You will find more information on Atlas under www.atlasgmbh.com.

CONSTRUCTION



TRANSPORT



INFRASTRUCTURE



RECYCLING



CUSTOMER SATISFACTION IS OUR PRIORITY!

WE ARE COMMITTED

to providing our customers with highest quality products and services.

QUALITY STANDARDS AND CUSTOMER SATISFACTION

are measured in terms of service performance, reliability, relevance and timeliness.

OUR COMPANY'S MISSION, GOALS AND OBJECTIVES

are directed towards ongoing process improvement as a basis for strengthening our competitive position and for improving product quality and service standards.

QUALITY STANDARDS AND CUSTOMER SATISFACTION

are measured in terms of product performance and reliability.

PRODUCT RANGE

220W





**EXTENSIVE DEALER NETWORK
EXCELLENT SERVICE
CUSTOMER FOCUSED**

ATLAS - The new excavator cabin



The new ATLAS cabin – Best climate, sharp display, digital and direct, more space, best view, extremely quiet, feel good

Clear control panel – Direct selection via keys or digital control via button.....



Move safely: Standard lateral- and rear view cameras



Most powerful air conditioning system - short airways - large lines - cross sections - silent



Best view – especially to the right



ATLAS SINCE 1939 - The new excavator cabin

Stay communicated - radio with USB connection - mobile phone tray by the left joystick



Easy: Upper carriage lock at the push of a button on T



Bottle holder near the driver



Lunch break - space for cool box with electrical connection - behind the driver's seat



Floor non-slip and Easy to sweep - storage space for tools and materials



TECHNICAL SPECIFICATION 220W

ENGINE

Power rating.....129 kW (175 HP)	Bore / cylinder stroke 101 / 126	STANDARD BASIC EQUIPMENT:
RPM 1800/min	Cooling system Water-cooled	• Automatic idling system / Engine stop
Model..... Cummins QSB 6.7 EU Stage V	Air filter..... Dry air filter	• Diesel pre-filter
Design.....Turbocharger / charge-air cooling	Battery..... 2 x 12 V / 100 Ah	• Engine monitoring
Cylinder capacity 6700 cm ³	Generator 24 V / 100 A	
Number of cylinders 6	Starter..... 24 V / 3.2 kW	

HYDRAULIC SYSTEM

• AWE 5 system (Load sensing)	• Pipe break protection valves for lifting and articulated cylinders	• Operating modes:
• Load limit controlled high-performance pump	• Proportional grab and grab rotating function	F1 (Fine)
• Fuel-efficient flow-on-demand control	• 3 circuits for additional consumer loads possible	F2 (Eco)
• Sensitive, proportional, independent control	• Max. oil flow 380 l/min	F3 (Power)
• Primary and secondary protection against overload	• Max. operating pressure 320 (350)* bar	• Accumulator for emergency lowering of the arm system
• Suction valves for all work functions	• Cylinder end position damping	• Load-limit control

SWING ASSEMBLY

• Axial piston motor with priority valve	• Automatically controlled multi-disc brake	• Swing torque 63.2 kNm
• Planetary transmission	• Two, two-stage valves	• Max. swing speed. 11/min

TRACTION DRIVE AND BRAKES

• Variable displacement motor	• Automotive traveling and cruise control:	• Tractive force..... 91.8 kN
• Power-shift transmission	• Max. speed 20 km/h	• Gradeability 55 %
• Double-acting brake valve	• Off-road speed 5 km/h	• Dual-circuit brake system Multi-disc
• Travel direction pre-selection via switch in joystick	• Crawling speed..... 1 km/h	• Parking brake Multi-disc

UNDERCARRIAGE

• Steering axle with automatic oscillating axle locking	• Heavy duty axles	• STD tires: Mitas 10.00-20 16PR EM23
• Additional axis locking via left joystick	• Toolbox in undercarriage	

TIRES

OPTIONAL:

• 4-road tyres 710/40 – 22.5 24PR Nokia	• 8-road tyres 10.00-20 16PR profile for asphalt use	• 8-road tyres 315/70 R22.5 Marked with a band, Grader type
• 8-road tyres 10.00-20 16PR Nokia	• 8-road tyres 10.00-20 Super elastic (up to 16 km/h)	• 8-road tyres 215/70 R22.5 Caliber Power Grip 23

WORKING EQUIPMENT 220W

DRIVER'S CAB

<ul style="list-style-type: none"> • Meets latest safety standards (ROPS) • Extra large entry zone • Spacious leg room • Radio preparation with mute function • Ready for electric cooling box • Different options for storage, compartment for documents • Heat-absorbing glass, tinted windows • Excellent all-way visibility • Bottle holder 	DRIVER'S SEAT: <ul style="list-style-type: none"> • Comfort seat with headrest • Arm rests and lumbar support • Seat adjustable separately from console • Air suspension • Heated • Horizontal and vertical suspension • Lumbar support 	MONITORING: <ul style="list-style-type: none"> • Operating data display screen • Automatic system for monitoring, warning and storage of data • Rear view security camera • Right side camera
	CONTROL: <ul style="list-style-type: none"> • Ergonomic joysticks with proportional slide control • Slim steering column, height and tilt adjustable • Indicators, controls and operating switches are clearly arranged • Swing axle lock in the left joystick 	CLIMATE CONTROL: <ul style="list-style-type: none"> • Automatic climate control • Excellent air distribution through optimally arranged nozzles • Refrigerant R134a
		SOUND LEVELS: <ul style="list-style-type: none"> • ISO 6396 (L_pA) in driver's cab 69 dB(A) • 2000/14 EG (L_wA) ambience level 101 dB(A)

ADDITIONAL EQUIPMENT

<ul style="list-style-type: none"> • Refueling pump • Beacon light • Gear protection • Cabin Sliding door • Cab protection guard • Wheel cover • Cab elevation • Joystick steering • 270° camera system 	<ul style="list-style-type: none"> • LED working lights • 35% axle differential lock • Alarm-signal while driving • Auxiliary heating with water circuit • Automatic working brake • Switch hydraulic attachment kit, supports separately at front and rear • Hydraulic add-on kit, switch supports axially separately • Proportional control of supports by slide in joystick • Automatically controlled and monitored electric central lubrication system for uppercarriage and arm equipment 	<ul style="list-style-type: none"> • Premium Driver seat (Actimo Evolution) • Electric cooling box • Radio with USB • GPS/GSM telemetric system for monitoring of operating data, consumption, position • Biodegradable oil • Wide axles (overall width 2750 mm) • Wide dozer blade (2750 mm) <p>Other additional equipment: See price list</p> <p>Special options: upon request</p>
--	--	---

FILL CAPACITIES

• Fuel tank382 litres	• Engine oil.....20 litres	• Hydraulic system.....290 litres
• Cooling system.....42 litres	• Hydraulic tank224 litres	• Ad Blue®50 litres

OPERATING WEIGHTS

	MONOBLOCK BOOM 5.90 m (C25.3M)	ADJUSTABLE BOOM Base arm 1.95 m (C23.41) Boom 4.23 m (C25.46)
	Stick 3.20 m (D25.3)	Stick 2.65 m (D21.33)
Support dozer blade	22.4 t	22.6 t
SDB / outriggers	23.2 t	23.4 t
4 support outriggers	23.4 t	23.6 t

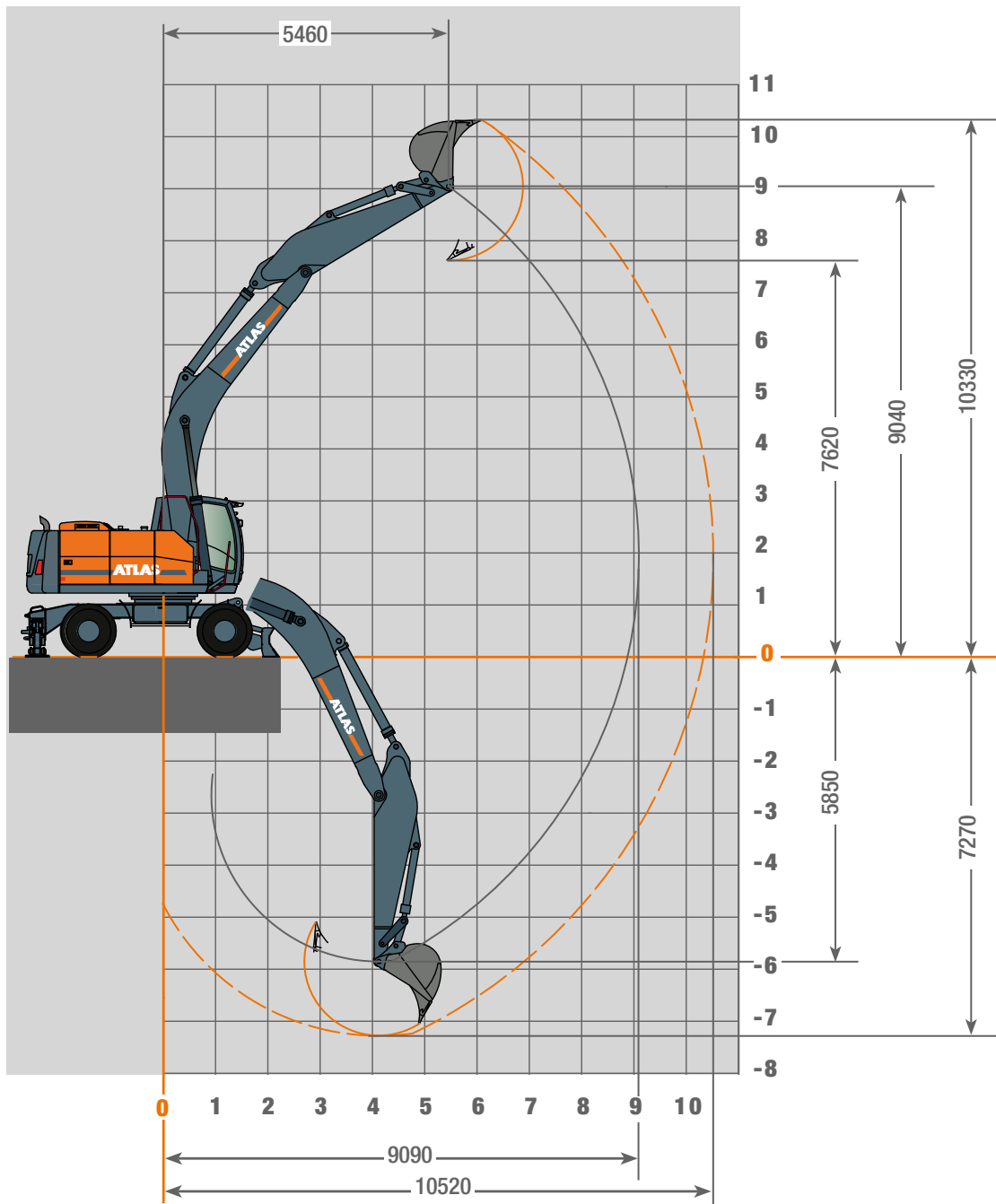
Operating weight incl. driver, fuel, lubricants and coolant plus 1.0 ton for attachments

ATTACHMENTS (SELECTION)

	Bucket F415	Bucket F416	Bucket F417	Bucket F648
Capacity SAE	0.67 m ³	0.82 m ³	0.92 m ³	1.12 m ³
Cutting width	850 mm	1000 mm	1100 mm	1300 mm

















WORKING RANGES 220W

Monoblock boom 5.90 m (C25.3M) and stick 3.20 m (D25.3)





LIFTING CAPACITIES 220W

Monoblock boom 5.95 m (C25.3M) and stick 2.5 m (D25.2)

Height	Undercarriage type		3.0 m	3.5 m	4.0 m	4.5 m	5.0 m	5.5 m	6.0 m	6.5 m	7.0 m	7.5 m	8.0 m	8.5 m
+7.5 m	FRONT 	SDB rear, supported SDB front, raised						9195	9182					
	LATERAL 	SDB supported SDB raised						6240* 7686*	5367* 6724*					
+ 6.0 m	FRONT 	SDB rear, supported SDB front, raised					9922	9576	9300	9088	8947	7979*		
	LATERAL 	SDB supported SDB raised					7157*	6123*	5313*	4657*	4109*	3628*		
+ 4.5 m	FRONT 	SDB rear, supported SDB front, raised			14108	12697	11663	10875	10259	9769	8901*	7914*	7089*	
	LATERAL 	SDB supported SDB raised			9583*	7931*	6723*	5801*	5073*	4483*	3992*	3574*	3207*	
+ 3.0 m	FRONT 	SDB rear, supported SDB front, raised				15670	13864	12544	11264*	9815*	8673*	7748*	6980*	6325*
	LATERAL 	SDB supported SDB raised				7165*	6170*	5387*	4758*	4240*	3806*	3436*	3114*	2827*
+ 1.5 m	FRONT 	SDB rear, supported SDB front, raised				17500	15170*	12701*	10904*	9534*	8454*	7579*	6855*	6244*
	LATERAL 	SDB supported SDB raised				6625*	5734*	5038*	4477*	4015*	3626*	3295*	3008*	2757*
0 m	FRONT 	SDB rear, supported SDB front, raised				12266	17587	14891*	12445*	10685*	9353*	8307*	7467*	6782*
	LATERAL 	SDB supported SDB raised				7757*	6455*	5535*	4846*	4307*	3869*	3506*	3202*	2947*
-1.5 m	FRONT 	SDB rear, supported SDB front, raised	12739	16540	18220	16552	14905*	12433*	10662*	9333*	8301*	7481*		
	LATERAL 	SDB supported SDB raised	12739	13590*	10575*	8650*	7317*	6340*	5593*	5004*	4529*	4143*		
-3.0 m	FRONT 	SDB rear, supported SDB front, raised	18578	17113	15711	14397	13177	12044	10797*	9468*				
	LATERAL 	SDB supported SDB raised	13576*	10122*	8040*	6657*	5677*	4950*	4394*	3961*				

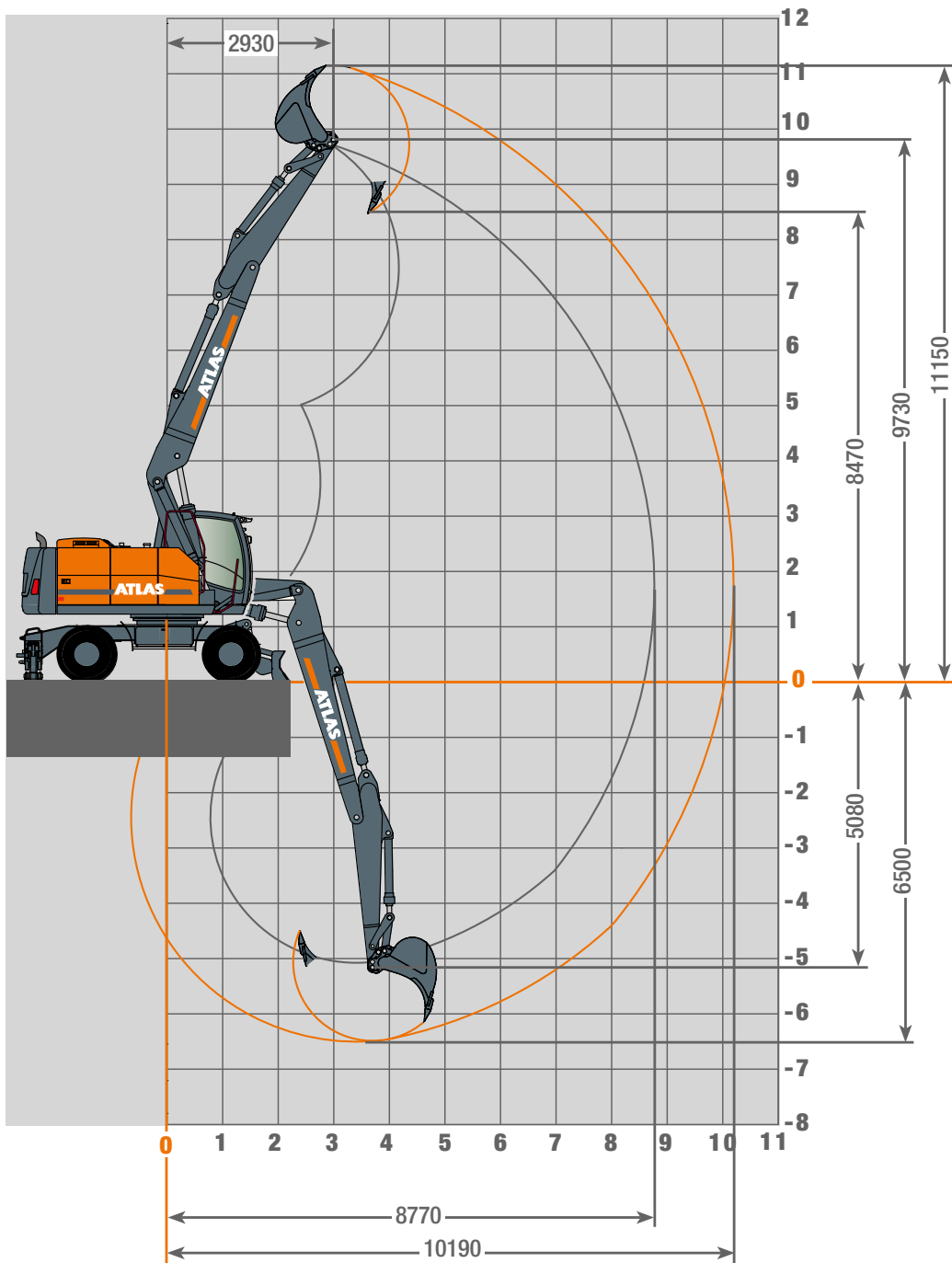
Monoblock boom 5.95 m (C25.3M) and stick 3.2 m (D25.3)

Height	Undercarriage type		3.0 m	3.5 m	4.0 m	4.5 m	5.0 m	5.5 m	6.0 m	6.5 m	7.0 m	7.5 m	8.0 m	8.5 m	9.0 m
+9.0 m	FRONT 	SDB rear, supported SDB front, raised						8691							
	LATERAL 	SDB supported SDB raised						6310* 7604* 4868*							
+7.5 m	FRONT 	SDB rear, supported SDB front, raised							7982	8018	8108				
	LATERAL 	SDB supported SDB raised							5559* 6797* 4319*	4835* 6034* 3757*	4225* 5288* 3276*				
+ 6.0 m	FRONT 	SDB rear, supported SDB front, raised							8313	8175	8066	7994	7249*		
	LATERAL 	SDB supported SDB raised							5454* 6821* 4221*	4773* 5970* 3700*	4212* 5274* 3263*	3737* 4691* 2889*	3322* 4187* 2557*		
+ 4.5 m	FRONT 	SDB rear, supported SDB front, raised				11103	10377	9802	9337	8957	8644	8000*	7170*	6467*	
	LATERAL 	SDB supported SDB raised				8216*	6925*	5948*	5182*	4564*	4054*	3624*	3255*	2929*	
+ 3.0 m	FRONT 	SDB rear, supported SDB front, raised			16178	14135	12671	11572	10720	9896*	8731*	7789*	7011*	6356*	5791*
	LATERAL 	SDB supported SDB raised			8816*	7380*	6308*	5479*	4819*	4279*	3829*	3449*	3121*	2834*	2578*
+ 1.5 m	FRONT 	SDB rear, supported SDB front, raised			14390	16576	14629	12751*	10933*	9548*	8456*	7573*	6842*	6227*	5701*
	LATERAL 	SDB supported SDB raised			7880*	6666*	5755*	5044*	4471*	4000*	3605*	3268*	2978*	2724*	2500*
0 m	FRONT 	SDB rear, supported SDB front, raised		9576	14786	17453	14795*	12375*	10624*	9295*	8251*	7407*	6712*	6130*	5648*
	LATERAL 	SDB supported SDB raised		9357*	7516*	6305*	5430*	4762*	4231*	3798*	3437*	3131*	2868*	2641*	2454*
-1.5 m	FRONT 	SDB rear, supported SDB front, raised		15702	19068	17031	14675*	12248*	10506*	9193*	8170*	7350*	6683*	6138*	
	LATERAL 	SDB supported SDB raised		9434*	7519*	6248*	5344*	4667*	4139*	3717*	3371*	3083*	2843*	2648*	
-3.0 m	FRONT 	SDB rear, supported SDB front, raised	20566	19047	17123	15477	14052	12332*	10574*	9257*	8239*	7438*			
	LATERAL 	SDB supported SDB raised	18495*	13344*	10405*	8513*	7198*	6233*	5497*	4920*	4458*	4089*			

The specified max. loading capacities in kilogrammes (kg) include a stability of 25% or are calculated at 87% of the hydraulic lifting power, as per ISO10567. These values are applicable at the tip of the arm with optimum positioning of the corresponding arm system. Weights of attached load carrying accessories (grab, magnet, load hook, etc.) are not included with the load carrying values. (*) Value limited due to excavator stability.




WORKING RANGES 220W

Adjustable boom: Base arm 1.95 m (C27.41) and boom 4.23 m (C25.46)



LIFTING CAPACITIES 220W

Adjustable boom: Base arm 1.95 m (C27.41), boom 4.23 m (C25.46) with stick 2.65 m (D21.33). Max. reach 10.19 m

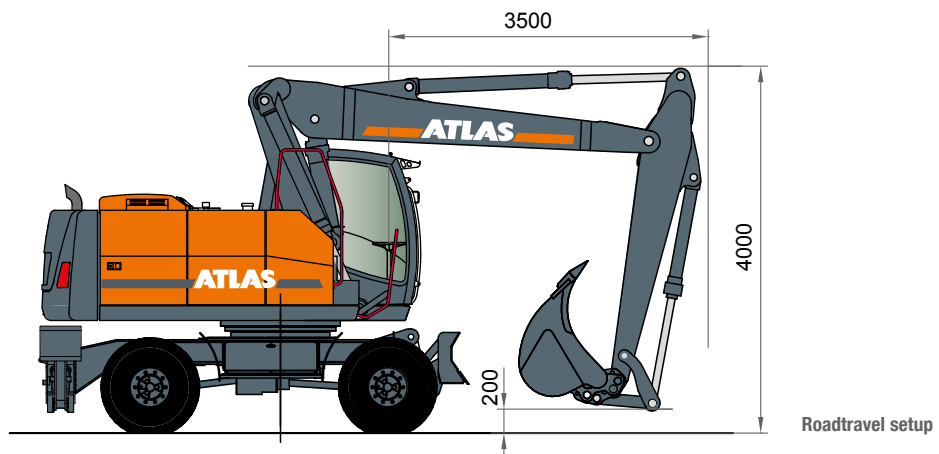
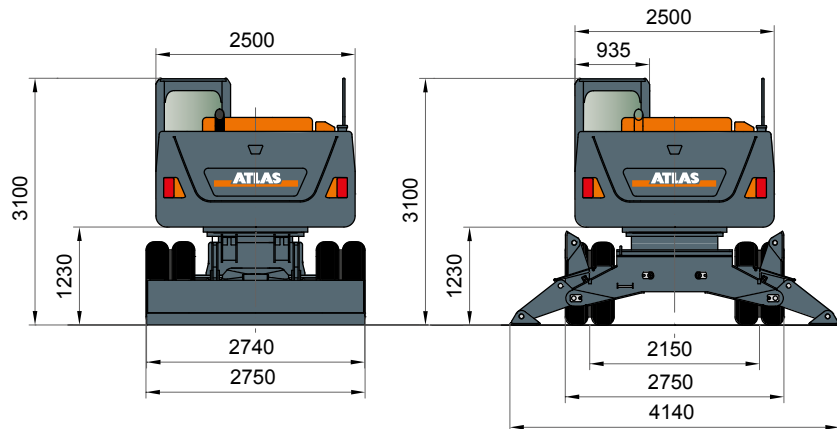
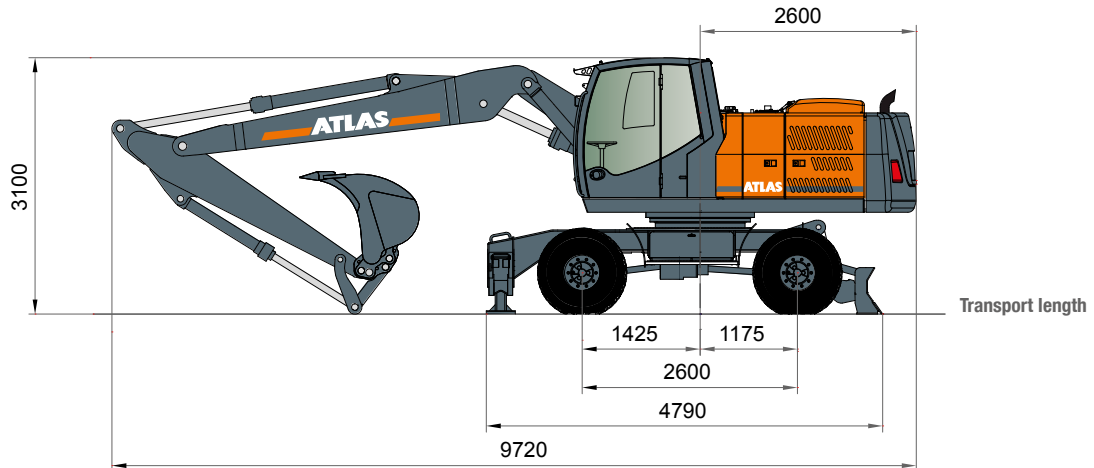
Height	Undercarriage type		3.0 m	3.5 m	4.0 m	4.5 m	5.0 m	5.5 m	6.0 m	6.5 m	7.0 m	7.5 m	8.0 m	8.5 m
+9.0 m	FRONT 	SDB rear, supported			7646	6474								
		SDB front, raised			7646	6474								
	LATERAL 	SDB supported			7646	6474								
		SDB raised			7324*	6369*								
+7.5 m	FRONT 	SDB rear, supported				6778	6760	6766	6608	4703				
		SDB front, raised				6778	6760	6131*	5394*	4660*				
	LATERAL 	SDB supported				6778	6760	6766	6608	4703				
		SDB raised				6285*	5619*	4883*	4203*	3628*				
+6.0 m	FRONT 	SDB rear, supported			6865	7155	7123	6948	6808	6706	6593	5197		
		SDB front, raised			6865	7155	6903*	6167*	5459*	4844*	4243*	3724*		
	LATERAL 	SDB supported			6865	7155	7123	6948	6703*	5945*	5280*	4657*		
		SDB raised			6865	6419*	5608*	4899*	4332*	3808*	3324*	2906*		
+4.5 m	FRONT 	SDB rear, supported	10238	11144	9928	9061	8414	7915	7523	7135	6805	6579	6060	
		SDB front, raised	10238	11144	9761*	8155*	6985*	6093*	5386*	4814*	4314*	3800*	3358*	
	LATERAL 	SDB supported	10238	11144	9928	9061	8414	7492*	6604*	5890	5304*	4730*	4206*	
		SDB raised	10238	9030*	7449*	6320*	5476	4814*	4284*	3844*	3395*	2978*	2619*	
+3.0 m	FRONT 	SDB rear, supported	9414	11226	12097	11242	9999	9020	8322	7758	7302	6926	6683	5794
		SDB front, raised	9414	11226	9439*	7924*	6823*	5974	5302*	4763*	4303*	3793*	3359*	2987*
	LATERAL 	SDB supported	9414	11226	11906*	9892*	8443*	7352*	6506*	5821*	5265*	4720*	4202*	3763*
		SDB raised	9414	8652*	7198*	6140*	5336*	4719*	4220*	3811*	3388*	2973*	2619*	2315*
+1.5 m	FRONT 	SDB rear, supported	12626	13213	13455	13189	11460	10192	9226	8477	7889	7428	7031*	6255
		SDB front, raised	12626	11470	9311*	7815	6736*	5909*	5264*	4761*	4216*	3718*	3299*	2943*
	LATERAL 	SDB supported	12626	13213	1174*	59770	8346*	7283*	6451*	5800*	5241*	4641*	4141*	3718*
		SDB raised	10645*	8505*	7058*	6037*	5270*	4670*	4195*	3766*	3301*	2900*	2562*	2274*
0 m	FRONT 	SDB rear, supported	16314	15843	15039	13844	12317	11025	9970	9110	8425	7713*	6965	5886
		SDB front, raised	15083*	11549	9339*	7847*	6761*	5937*	5233*	4621*	4051*	3586*	3199*	2877*
	LATERAL 	SDB supported	16314	14846	11793*	9792*	8364*	7311*	6509	5770*	5078*	4513*	4043*	3650*
		SDB raised	1059*	18459*	7024*	5985*	5193*	4567*	4054*	3596*	3144*	2776*	2467*	2211*
-1.5 m	FRONT 	SDB rear, supported	20771	18466	15973	13963	12402	11157	10143	9304	8589*	7652*	6891*	
		SDB front, raised	15054*	11430*	9202*	7687*	6585*	5743*	5006*	4374*	3867*	3447*	3120*	
	LATERAL 	SDB supported	20257*	15094*	12009*	9902*	8400*	7276*	6320*	5530*	4896*	4372*	3962*	
		SDB raised	10192*	8109*	6725*	5732*	4981*	4389*	3844*	3361*	2971*	2645*	2393*	
-3.0 m	FRONT 	SDB rear, supported	22715	18937	16230	14203	12639	11438	10325	9151	7724			
		SDB front, raised	14887*	11273*	9063*	7556*	6350*	5448*	4754*	4207*	3776*			
	LATERAL 	SDB supported	20682*	15093*	11872*	9761*	8150*	6964*	6062*	5357*	4800*			
		SDB raised	10056*	7976*	6603*	5614*	4768*	4118*	3610*	3206*	2885*			

The specified max. loading capacities in kilogrammes (kg) include a stability of 25% or are calculated at 87% of the hydraulic lifting power, as per ISO10567. These values are applicable at the tip of the arm with optimum positioning of the corresponding arm system. Weights of attached load carrying accessories (grab, magnet, load hook, etc.) are not included with the load carrying values. (*) Value limited due to excavator stability.

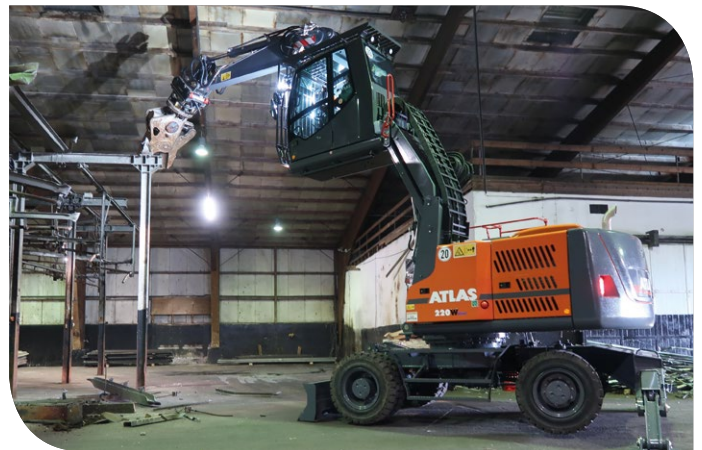
DIMENSIONS 220W

220W Transport position

A23.33, C27.41, C25.46, D21.33, F25.1, F63.27



For driving on public roads, excavators with TÜV approval to ensure the axle load of 12 t must be switched to the road mode, i.e. the steering axle is located behind in the direction of travel.



220W-EN(1) Effective date: 05/2022. Product specifications and prices are subject to change without notice or obligation. The photographs and/or drawings in this document are for illustrative purposes only. Refer to the appropriate Operator's Manual for instructions on the proper use of this equipment. Failure to follow the appropriate Operator's Manual when using our equipment or to otherwise act irresponsibly may result in serious injury or death. The only warranty applicable to our equipment is the standard written warranty applicable to the particular product and sale and Atlas makes no other warranty, express or implied. The only warranty applicable to our equipment is the standard written warranty applicable to the particular product and sale and Atlas makes no other warranty, express or implied. Products and services listed may be trademarks, service marks or trade-names of Atlas GmbH and/or its subsidiaries. All rights are reserved. Atlas® is a registered trademark of Atlas GmbH. Copyright © 2022 Atlas GmbH. Ref. no. 6196083

GANDERKESEE FACTORY

Atlas GmbH
Atlasstraße 6
D-27777 Ganderkesee,
Germany

Tel.: +49 (0) 4222 954 0
Fax: +49 (0) 4222 954 220
E-mail: info@atlasgmbh.com
www.atlasgmbh.com



VECHTA FACTORY

Atlas GmbH
Theodor-Heuss-Str. 3
D-49377 Vechta
Germany

T: +49 (0) 4441 954 0
F: +49 (0) 4441 954 299
E-mail: info@atlasgmbh.com
www.atlasgmbh.com



DELMENHORST FACTORY

Atlas GmbH
Stedinger Straße 324
D-27751 Delmenhorst
Germany

T: +49 (0) 4221 49 10
F: +49 (0) 4221 49 14 43
E-mail: info@atlasgmbh.com
www.atlasgmbh.com

ATLAS CRANES UK LTD NATIONAL SALES & SERVICE FACILITY

Wharfedale Road,
Euroway Trading Est.
Bradford, England BD4 6SL
United Kingdom

T: +44 8444 99 66 88
F: +44 1274 65 37 85
E-mail: atlasuk@atlasgmbh.com
www.atlas-cranes.co.uk
www.atlasgmbh.com



ATLAS
SINCE 1919

